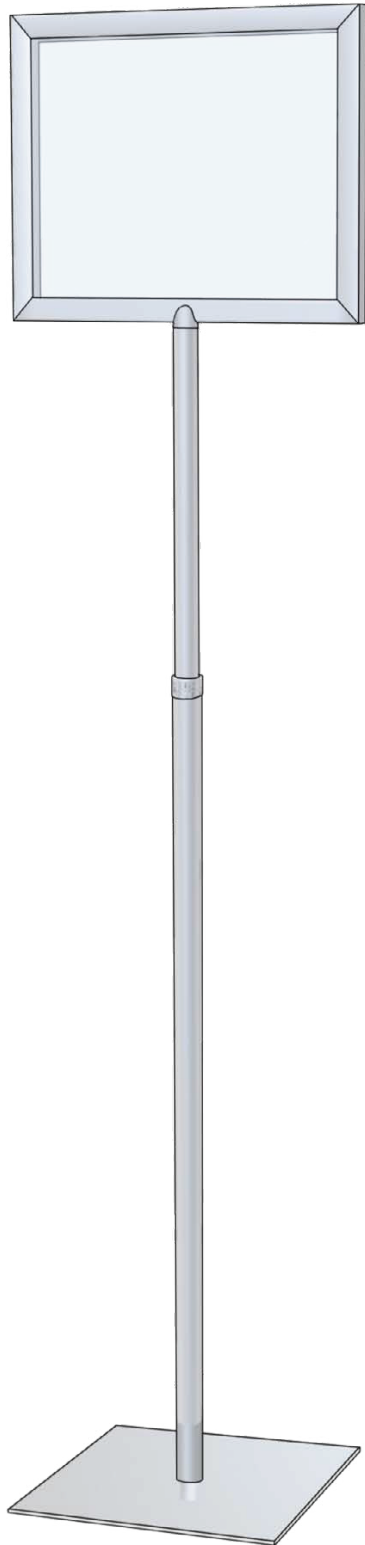
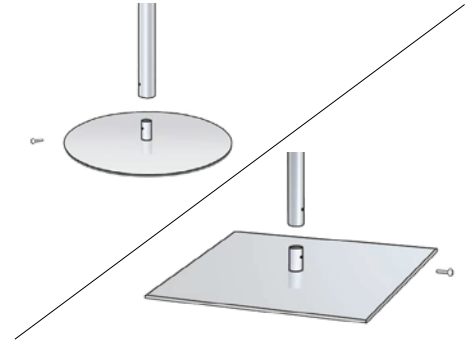




# SIGNAGE SYSTEMS DROP-IN FRAME PEDESTALS



**01** Attach pole to base using screw provided.



**02** Screw pole onto frame. Do not overtighten.



**03** Insert graphic into frame.

